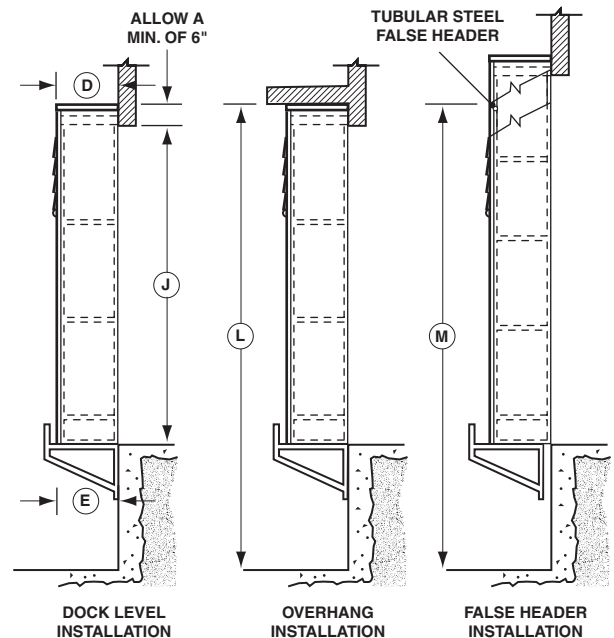
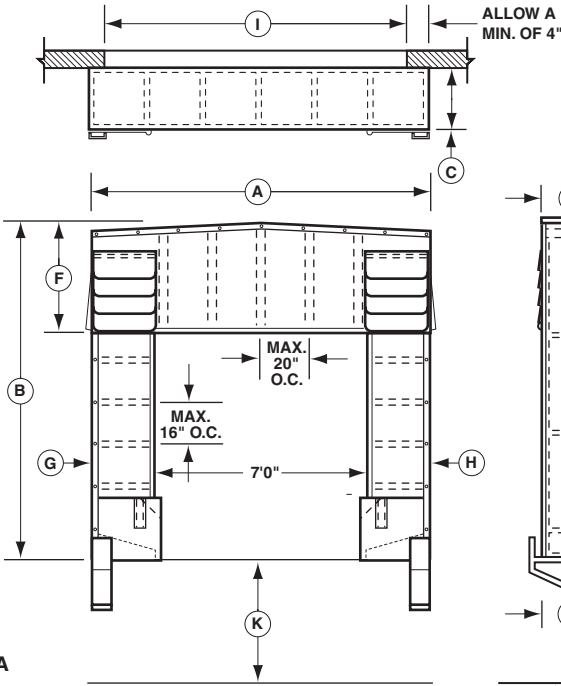
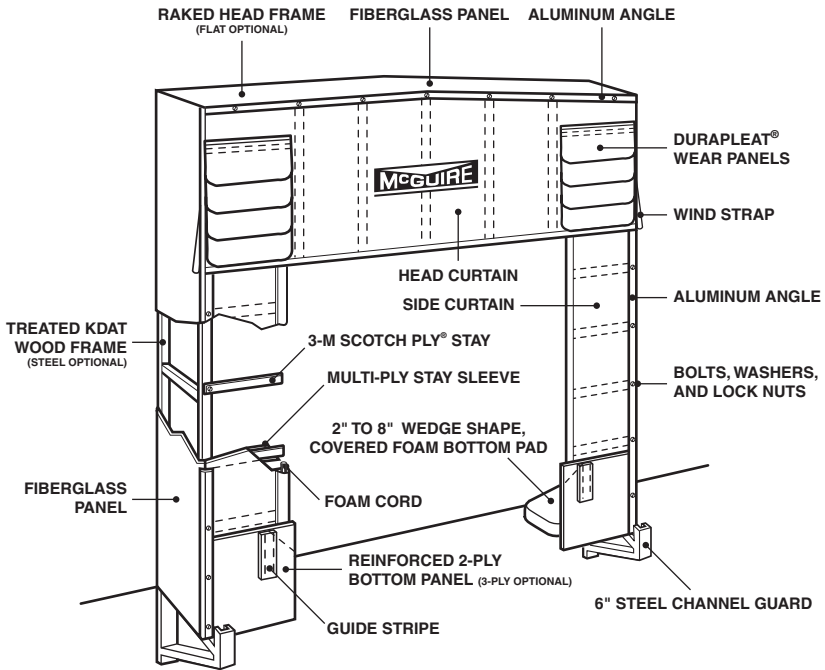
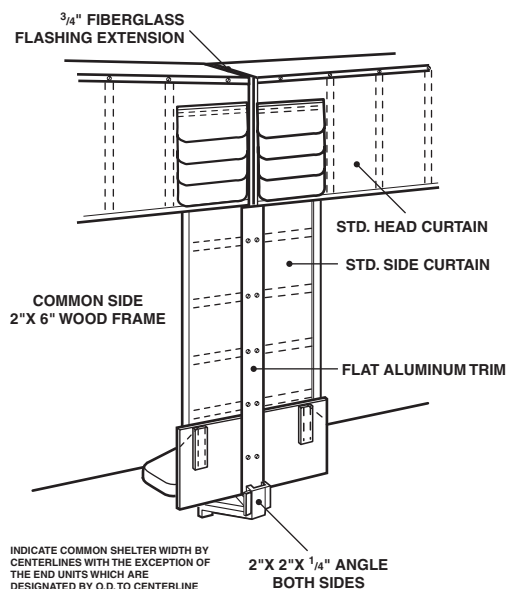


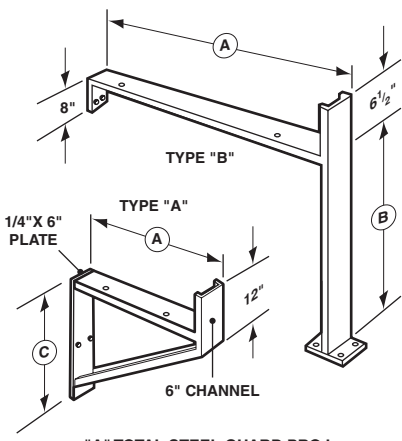
TC400
RIGID FRAME
DOCK SHELTER



COMMON SIDE MEMBER



STEEL GUARD DATA



"A" TOTAL STEEL GUARD PROJ. (STD. 6" GREATER THAN SIDE FRAME BOTTOM PROJECTION)

"B" DIM: MEASURE FROM DRIVE GRADE TO DOCK LEVEL @ "A" DIM. FROM BUILDING

"C" STEEL GUARD PROJ. "C" DIM.

24"-30"	20"
36"-42"	27"
48"-54"	34"

NOTE: GREATER PROJECTION THAN 54" USE TYPE "B"

INDICATE COMMON SHELTER WIDTH BY CENTERLINES WITH THE EXCEPTION OF THE END UNITS WHICH ARE DESIGNATED BY O.D. TO CENTERLINE

<p>TYPE</p> <p><input type="checkbox"/> DOCK LEVEL</p> <p><input type="checkbox"/> OVERHANG</p> <p><input type="checkbox"/> FALSE HEADER</p> <p><input type="checkbox"/> GROUND LEVEL (NOT SHOWN)</p> <p><input type="checkbox"/> CANTILEVER DOCK (NOT SHOWN)</p> <p><input type="checkbox"/> SET BACK WALL (NOT SHOWN)</p> <p>FABRIC</p> <p><input type="checkbox"/> 22 OZ. VINYL <input type="checkbox"/> TRUK FLEX™</p> <p><input type="checkbox"/> 40 OZ. VINYL <input type="checkbox"/> MAX FLEX™</p> <p><input type="checkbox"/> ROUGH FLEX™</p> <p>DIMENSIONS</p> <p>"A" SHELTER WIDTH (6" INCREMENTS) (RECOMMENDED 11'-0" MIN. - 13'-0" MAX.)</p> <p>"B" SHELTER HEIGHT (6" INCREMENTS) (RECOMMENDED 11'-0" MIN. - 15'-0" MAX. EXCEPT GROUND LEVEL TYPE)</p> <p>"C" HEAD FRAME PROJ.</p>	<p>___ "D" SIDE FRAME TOP PROJ.</p> <p>___ "E" SIDE FRAME BOTTOM PROJ.</p> <p>___ "F" HEAD CURTAIN LENGTH</p> <p>___ "G" LEFT SIDE CURTAIN WIDTH</p> <p>___ "H" RIGHT SIDE CURTAIN WIDTH</p> <p>___ "I" DOOR WIDTH</p> <p>___ "J" DOOR HEIGHT</p> <p>___ "K" DOCK HEIGHT</p> <p>___ "L" DIM. TO OVERHANG</p> <p>___ "M" DIM. TO FALSE HEADER (STD. INSTALLED @ 15" ABOVE GRADE)</p>	<p>OPTIONAL EQUIPMENT</p> <p><input type="checkbox"/> FULL "Z" (STAY PATTERN TOP OF SIDE CURTAIN)</p> <p><input type="checkbox"/> 3-PLY BOTTOM REINFORCEMENT (BOTTOM OF SIDE CURTAIN)</p> <p><input type="checkbox"/> COMMON SIDE MEMBER</p> <p><input type="checkbox"/> TUBULAR STEEL FRAME <input type="checkbox"/> PAINTED <input type="checkbox"/> GALVANIZED</p> <p><input type="checkbox"/> FLAT HEAD FRAME <input type="checkbox"/> 2X4 WOOD <input type="checkbox"/> TUBULAR STEEL</p> <p><input type="checkbox"/> ACCESS DOOR (LARGE PROJ. SIDE FRAMES, ONLY)</p> <p><input type="checkbox"/> PULL ROPE (ROPE & PULLEYS TO RAISE HEAD CURTAIN)</p> <p><input type="checkbox"/> BOTTOM FILLER PANEL (GROUND LEVEL UNITS ONLY)</p>
	<p>McGUIRE 205 BROADVIEW STREET • P.O. BOX 151 UPPER SANDUSKY, OH 43351 PHONE 1.800.262.1188 FAX 419.294.4980 WWW.WBMCGUIRE.COM</p>	
<p>JOB: _____</p>		
<p>LOCATION: _____</p>		
<p>CONTRACTOR: _____</p>		<p>ARCHITECT: _____</p>
<p>APPROVED BY SIGNATURE: _____</p>		