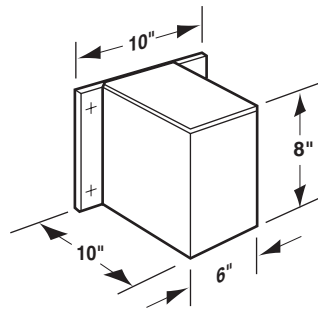
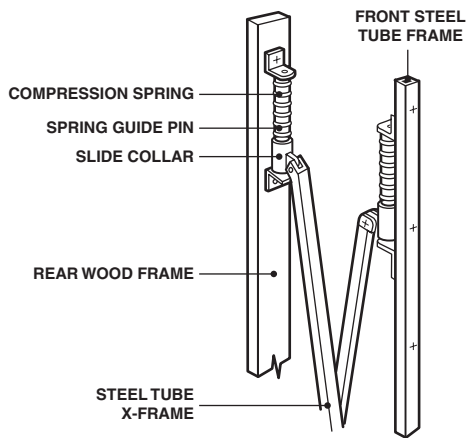
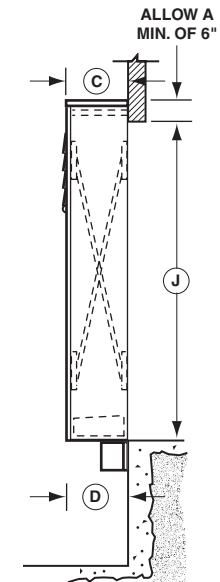
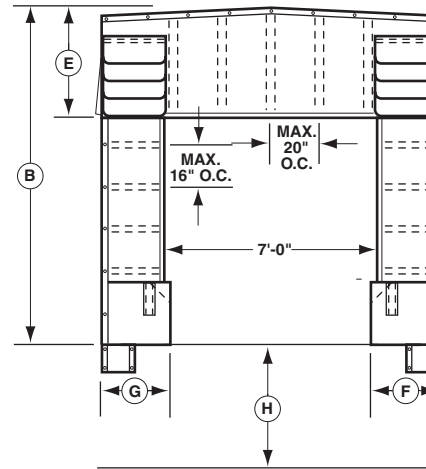
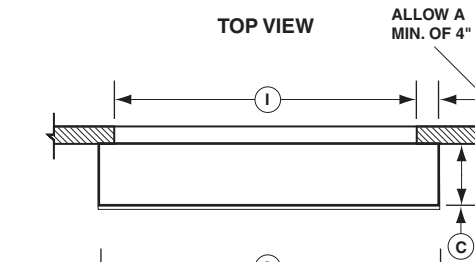
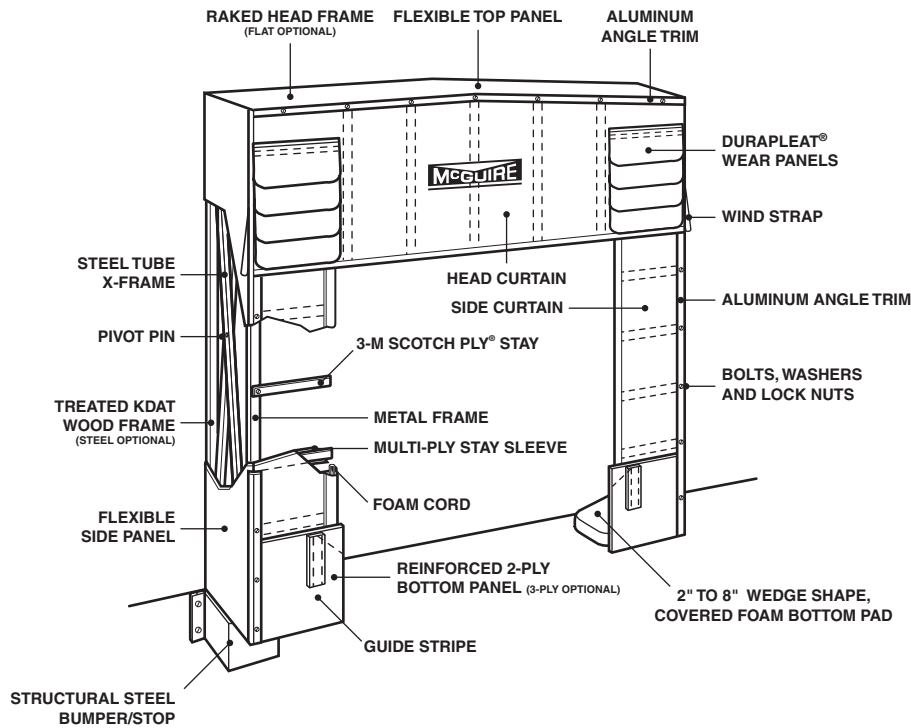


TC300
FLEXIBLE STEEL FRAME
DOCK SHELTER



<p>FABRIC</p> <p><input type="checkbox"/> 22 OZ. VINYL <input type="checkbox"/> TRUK FLEX™</p> <p><input type="checkbox"/> 40 OZ. VINYL <input type="checkbox"/> MAX FLEX™</p> <p><input type="checkbox"/> ROUGH FLEX™</p>	<p>_____ "A" SHELTER WIDTH</p> <p>_____ "B" SHELTER HEIGHT</p> <p>_____ "C" UNIT TOP PROJ.</p> <p>_____ "D" UNIT BOTTOM PROJ.</p> <p>_____ "E" HEAD CURTAIN</p> <p>_____ "F" RIGHT SIDE CURTAIN</p> <p>_____ "G" LEFT SIDE CURTAIN</p>	<p>_____ "H" DOCK HEIGHT</p> <p>_____ "I" DOOR WIDTH</p> <p>_____ "J" DOOR HEIGHT</p> <p>OPTIONAL EQUIPMENT</p> <p><input type="checkbox"/> FULL "Z" STAY SIDE CURTAIN</p> <p><input type="checkbox"/> 3-PLY BOTTOM REINFORCEMENT</p> <p><input type="checkbox"/> PULL ROPE - HEAD CURTAIN</p> <p><input type="checkbox"/> FLAT HEAD FRAME</p>
	<p>205 BROADVIEW STREET • P.O. BOX 151 UPPER SANDUSKY, OH 43351 PHONE 1.800.262.1188 FAX 419.294.4980 WWW.WBMCGUIRE.COM</p>	



JOB: _____

LOCATION: _____

CONTRACTOR: _____ ARCHITECT: _____

APPROVED BY SIGNATURE: _____